

LC-KIT

Single Zone Leak Detection Controller Kit



Single zone leak detection controller kits are pre-configured in popular lengths for monitoring single areas or rooms. Kits come with everything needed for a complete system, including an LD310 single zone control panel, a leader cable kit with end-of-line terminator, sensing cable, and a WA-DC-05 power supply. LD310 control panels continuously monitor up to 300 ft. of leak detection cable. If the cable detects compatible fluid at any point along its length, the detection panel LED illuminates and an alarm signals the presence of a leak. Additionally, if the cable loses continuity, the panel will activate a cable fault LED pattern.

SPECIFICATIONS

LD310 Controller

Input Power	5 Vdc ±10%
Storage Environment	-20 to 70 °C (-4 to 158 °F)
Weight	3 oz. (85 g)

INPUTS

Water Leak Detection Cable	Requires 15 ft. (4.5 m) leader cable (kit included)
Maximum Cable Length	300 ft. (91 m)
Detection Response Time	<20 sec (10 sec typical)
Relay Output	2 Form C relays (leak and fault); 1 A@24 Vdc, 0.5 A resistive@120 Vac

OPERATING ENVIRONMENT

Temperature	0 to 50 °C (32 to 122 °F)
Humidity	5 to 95% RH non-condensing
Altitude	15,000 ft. (4,572 m) max

Application flexibility

Monitor up to 10', 17', 25' or 50' of leak detection cable

LED indicator

Bi-color LED indicator for alarm status and cable fault...easy indication of leaks or equipment problems

Audible alert

Selectable on/off audible alert

APPLICATIONS

- Monitoring data centers, computer room under-floor areas, mechanical rooms, and electrical control centers
- Protecting records storage rooms
- Monitoring plumbing in facilities
- Monitoring chilled beams
- Monitoring chemical and fuel storage areas

SPECIFICATIONS

Cables

Plenum Rating (SC)	CL2P/CMP C(UL) California State Fire Marshall approved
Shear Strength	>180 lbs (>81.65 kg)
Cut Through Resistance	>40 lbs (>18.2 kg) w/0.005" (0.13 mm) blade
Abrasion Resistance	60 cycles per UL 719
Connector	4 pin, 1" (25.4 mm) dia., circular, locking,

OPERATING ENVIRONMENT

Temperature	0 to 75 °C (32 to 167 °F) 90 °C (194 °F) max.
Humidity	5 to 95% RH non-condensing
Altitude	15,000 ft. (4,572 m) max.
Storage Environment: SC NSC	-30 to 85 °C (-22 to 185 °F) 0 to 75 °C (32 to 167 °F)
Agency Approvals: LD300 SC NSC	CE; RoHS compliant CE; UL; RoHS compliant UL E118871; UL 13, power limited nfcircuit cable; UL 444, communication cables; NFPA 262; plenum flame test (UL 910); NEC Articles 725 and 800; RoHS compliant

WARRANTY

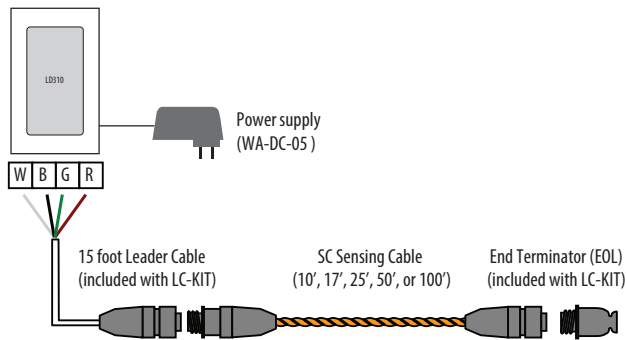
Limited Warranty	2 years
------------------	---------

AGENCY APPROVALS



SINGLE ZONE KIT WITH SC SENSING CABLE

Wiring Diagram



BLINK CODE KEY

LED INDICATION	DEVICE STATUS
Solid green (on or off)	Normal operation
Flashing green (0.5 sec on/2.5 sec off)	Cable fault
Flashing green (0.5 sec on/0.5 sec off)	Leak detected

ORDERING INFORMATION

MODEL	DESCRIPTION	KIT INCLUDES THESE MANUF. PART #S
U006-0062	Kit, LeakDet, LD310, 10' Conductive Fluid	LD310, LC-Kit, SC-10 & WA-DC-05
U006-0063	Kit, LeakDet, LD310, 17' Conductive Fluid	LD310, LC-Kit, SC-17 & WA-DC-05
U006-0064	Kit, LeakDet, LD310, 25' Conductive Fluid	LD310, LC-Kit, SC-25 & WA-DC-05
U006-0065	Kit, LeakDet, LD310, 50' Conductive Fluid	LD310, LC-Kit, SC-50 & WA-DC-05

Cables, EOL, and power supply only.