

AG04

Combination Carbon Monoxide and Nitrogen Dioxide Sensing Element

NOTICE

- This product is not intended for life or safety applications.
- Do not install this product in hazardous or classified locations.
- Read and understand the instructions before installing this product.
- Turn off all power supplying equipment before working on it.
- The installer is responsible for conformance to all applicable codes.

If this product is used in a manner not specified by the manufacturer, the protection provided by the product may be impaired. No responsibility is assumed by the manufacturer for any consequences arising out of the use of this material.

Product Overview

The AG04 carbon monoxide (CO) and nitrogen dioxide (NO₂) sensing element is designed to work with the Veris GWNP Series (BACnet/Modbus Output) gas platform unit to provide accurate monitoring of CO and NO₂ levels. Common sources of CO include automobile exhaust from gasoline engines, gasoline powered furnaces, gasoline powered water heaters, and gasoline generators. Common sources of NO₂ include automobile exhaust from diesel engines and diesel powered generators. The sensor is calibrated at the factory, so no field calibration is needed. The AG04 is warranted to meet accuracy specifications for two years after the date of manufacture.

Specifications

Sensor Type	CO: Electrochemical
	NO ₂ : Electrochemical
Measurement Range	CO: 0 to 500 ppm
	NO ₂ : 0 to 20 ppm
Accuracy	CO: ±5% of range
	NO ₂ : ±5% of range
Resolution	CO: 1 ppm
	NO ₂ : 0.1 ppm
Sensor Warranty	2 years from manufacture date
Low Level Setpoint	CO: 25 ppm (default)
	NO ₂ : 1 ppm (default)
High Level Setpoint	CO: 180 ppm (default)
	NO ₂ : 3 ppm (default)
Operating Temperature Range	-20 to 40 °C (-4 to 104 °F)
Operating Humidity Range	0 to 90% RH non-condensing

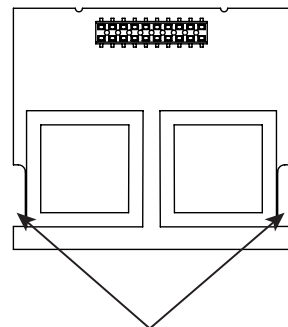
Note: The AG04 sensor works only with Veris GWNP (protocol output) Series gas platform devices. The AG04 will not work with GWNM, GWNV or GWN1 versions of the GWN Series.

Installation

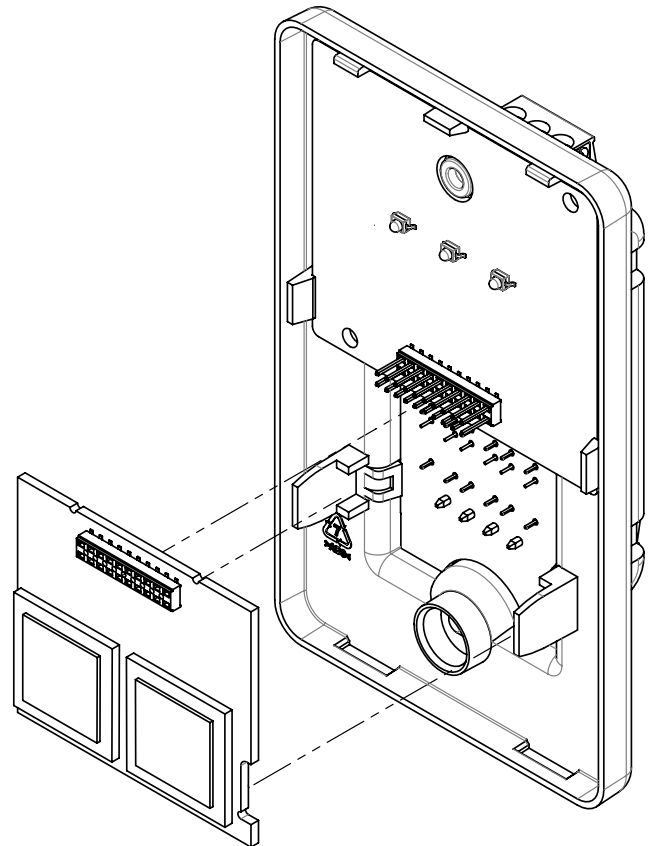


Observe precautions for handling static sensitive devices to avoid damage to the circuitry that is not covered under the factory warranty.

1. Disconnect and lock out all power sources before beginning the installation of the sensor.
2. Install the GWNP Series gas platform according to the instructions included with that device.
3. Remove the front cover from the GWNP Series gas platform device.
4. Use the grooves on the sides of the AG04 to correctly position the sensor with respect to the GWNP unit.
5. Press the connector block on the sensor onto the connector pins on the GWNP unit.



Use these grooves to position the sensor properly before pressing the sensor into the pin connector on the GWN board.



6. Replace the GWNP front cover. Reconnect power.