

## PD SERIES

Rugged, One-Piece Construction



PD

The versatile PD Digital Pressure Gauge can be used with any gas, liquid, or solid that is compatible with 17-4 stainless steel. The one-piece construction employs no silicone oil, welds, O-rings, or seals, making it the ideal universal pressure measurement device. The large LCD display shows the current reading, the selected scale, and the maximum and minimum pressure. All functions are easily controlled from the four panel push buttons located below the display.

### SPECIFICATIONS

#### GENERAL

|  |  |
|--|--|
| Input Power:<br>4 to 20mA Output Models<br>Voltage Output Models | 7.5 to 32 Vdc<br>15 to 32 Vdc  |
| Pressure   | See ordering table; consult factory for additional ranges                            |
| Measurement Units  | psi, bar, kg/cm <sup>2</sup> , atm, in. of Hg, in. of H <sub>2</sub> O* (selectable) |
| Accuracy**   | <± 0.5% BFSL***  |
| Stability (1 yr)   | ±0.25% of FS Typical   |
| Over Range Protection  | 2x Rated Pressure  |
| Burst Pressure   | 5x Rated Pressure or 5000 psi, whichever is less                                     |
| Pressure Cycles  | >100 Million   |

#### TEMPERATURE RANGES

|  |                               |
|--|-------------------------------|
| Media  | -55 to 125 °C (-65 to 257 °F) |
| Operating (Ambient)                                | -10 to 70 °C (15 to 158 °F)   |
| Storage:<br>4 to 20mA and<br>Voltage Output Models | -40 to 65 °C (-40 to 150 °F)  |

#### THERMAL LIMITS

|                   |                           |
|-------------------|---------------------------|
| Compensated Range | 0 to 55 °C (32 to 130 °F) |
| TC Zero           | <±1.5% of FS              |
| TC Span           | <±1.5% of FS              |

### Multiple pressure range options

Fits a wide variety of application needs

### Rugged

Rugged one-piece construction... provides long product life

### Large LCD display

Clear readings at a distance

### Switch-selectable

Switch-selectable scales... for maximum resolution and versatility

### Pushbutton zero

Maximizes accuracy and prevents callbacks

### NEMA 4/IP65

NEMA 4/IP65 housing

### APPLICATIONS

- Pump inlet/outlet and compressors
- Inert gas pressure measurement
- Hydraulic/pneumatic systems
- Energy and fluid management
- Refrigeration equipment/fluids/test stands
- Industrial process control
- Vacuum chambers
- Lab and research
- Irrigation

|   |   |
|---|---|
| Connection  | ¼" NPT Male                             |
| Update Rate<br>4 to 20mA and<br>Voltage Output Models | 32 times per second                     |
| Housing   | NEMA 4, IP65, Polycarbonate             |
| Output:<br>Analog Output Models                       | 4 to 20 mA loop powered or 0-5/0-10 Vdc |

#### WARRANTY

|                  |        |
|------------------|--------|
| Limited Warranty | 1 year |
|------------------|--------|

\*Inches H<sub>2</sub>O units available on ≤250 psi range devices only

\*\*Accuracy includes non-linearity, hysteresis, and non-repeatability, measured at 25 °C (77 °F)

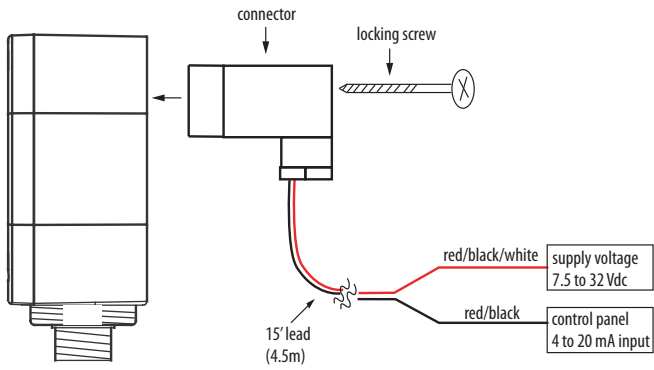
\*\*\*Best fit straight line

Note: Select a loop power supply and total loop resistance so that when the loop current is 20 mA, the gauge will have at least 7.5 Vdc at its terminals.



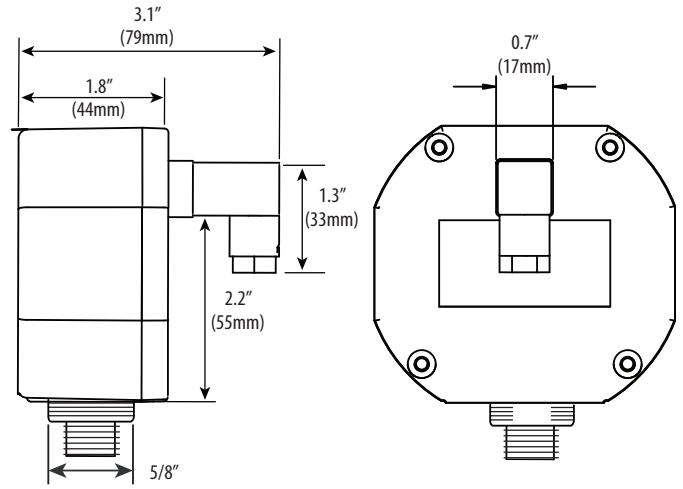
### ANALOG OUTPUT VERSION

Wiring Diagram



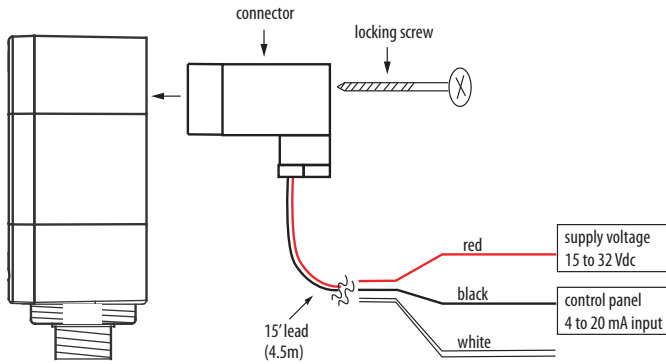
### 4 TO 20 MA OUTPUT VERSION

Dimensional Drawing



### VOLTAGE OUTPUT VERSION

Wiring Diagram



### ORDERING INFORMATION

| Pressure Range   | Material                                 | Output   |
|--|--|--|
| PD <input type="checkbox"/><br>50 = 0 to 50 psig<br>100 = 0 to 100 psig<br>250 = 0 to 250 psig | A <input type="checkbox"/><br>= 17 - 45S | <input type="checkbox"/> M = 4 to 20 mA<br><input type="checkbox"/> V = 0-5Vdc/0-10Vdc |

