



Hawkeye™

H321/H321SP

*Split-Core Current Transducer,
High Current, 4-20mA Output*

Product Overview

The H321 and the H321SP are current transducers that sense current (amperage) in the monitored conductor. The H321 amperage range is field-adjustable, with ranges of 0-300A thru 0-800A possible. The H321SP is factory-set at a range with an upper limit specified by the customer upon ordering (300A, 400A, 500A, 600A, 700A, and 800A options available for upper limits). Both devices transform the monitored current into 4-20 mA DC output, suitable for connection to building controllers or other appropriate data acquisition equipment. The H321 and H321SP require a 12-30 VDC external power supply to generate their output.



DANGER

HAZARD OF ELECTRIC SHOCK, EXPLOSION, OR ARC FLASH

- Follow safe electrical work practices. See NFPA 70E in the USA, or applicable local codes.
- This equipment must only be installed and serviced by qualified electrical personnel.
- Read, understand and follow the instructions before installing this product.
- Turn off all power supplying equipment before working on or inside the equipment.
- Use a properly rated voltage sensing device to confirm power is off.
- DO NOT DEPEND ON THIS PRODUCT FOR VOLTAGE INDICATION
- Only install this product on insulated conductors.

Failure to follow these instructions will result in death or serious injury.

A qualified person is one who has skills and knowledge related to the construction and operation of this electrical equipment and the installation, and has received safety training to recognize and avoid the hazards involved. NEC2009 Article 100
No responsibility is assumed by Veris Industries for any consequences arising out of the use of this material.

NOTICE

- This product is not intended for life or safety applications.
- Do not install this product in hazardous or classified locations.
- The installer is responsible for conformance to all applicable codes.
- Mount this product inside a suitable fire and electrical enclosure.

Specifications

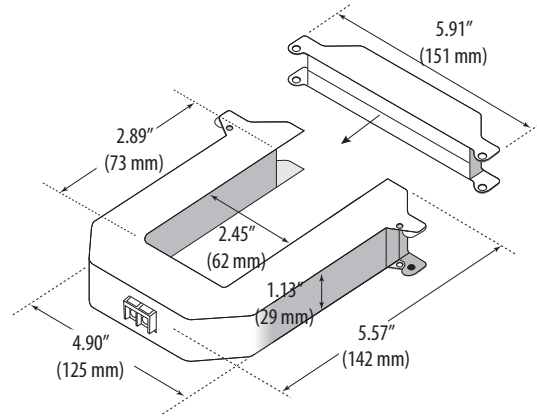
Sensor Power	30mA (max.) @12-30VDC
Amperage Range	H321: 0-300A thru 0-800A (scalable) H321SP: Factory-set at a customer-specified upper limit (300, 400, 500, 600, 700 and 800A available)
Sensor Output	4-20mA
Response Time	2 sec.
Insulation Class	600VAC RMS, insulated conductors only
Frequency	50/60 Hz
Temperature Range	-15° to 60°C (5° to 140°F)
Humidity Range	10-90% RH non-condensing
Accuracy	±2% F.S. from 10% to 100% of selected current range
Zero Adjustment	nominal output@0A: 4mA ± 0.5
Terminal Block Wire Size	12 to 22 AWG (3.3 to 0.3 mm ²)
Terminal Block Torque	3.5 to 4.4 in-lb (0.4 to 0.5 N-m)
AGENCY APPROVALS	
Approvals	UL508, CE
Installation Category	Cat. III, pollution degree 2

*This product provides basic insulation only.
Listed for use on 75°C insulated conductors.*

Product Identification

Part Number	Description
H321	High current monitoring, 4-20 mA analog output, scalable amperage range (300 to 800 A upper limit)
H321SP	High current monitoring, 4-20 mA analog output, amperage range set at factory (300, 400, 500, 600, 700, or 800 A upper limit, specified by customer at ordering)

Dimensions

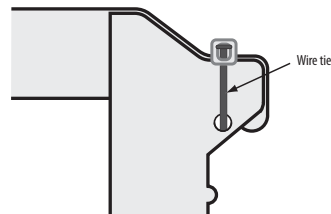


Installation

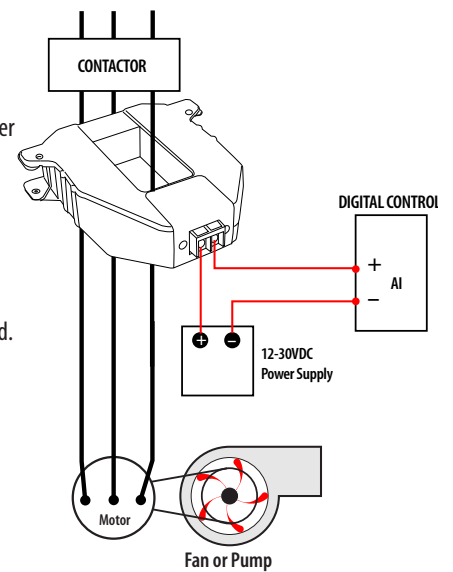


Disconnect and lock out power to the enclosure containing the conductor to be monitored.

1. Choose a location for the sensor. The monitored conductor must pass through the center window, and the sensor must be at least $\frac{1}{2}$ " (13 mm) from any uninsulated conductors. Determine cable routing for the controller connection, allowing the sensor to reach the conductor.
2. Wire the output connections between the sensor and the controller (4-20 mA).
3. Snap the sensor over the conductor to be monitored.
4. Secure I-bar to main body of sensor with wire ties or other securing method.



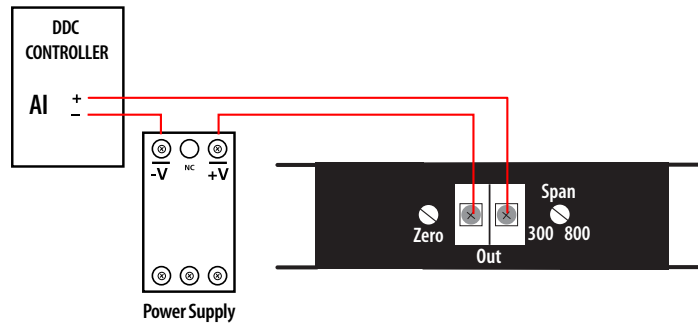
5. Secure the enclosure and reconnect power.
6. Scale the sensor range, then scale the controller software to match the sensor's output (see Scaling section).



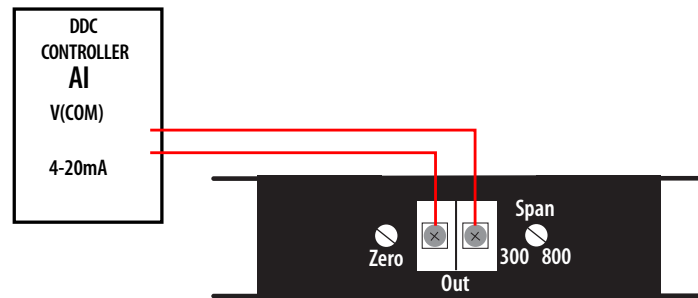
Wiring

Output is not polarity sensitive. 12-30 VDC external power needed.

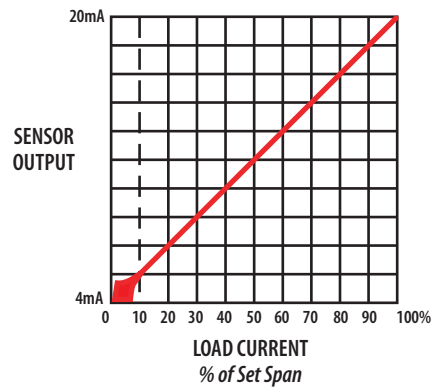
Example 1: External Power



Example 2: Powered by the controller



Scaling



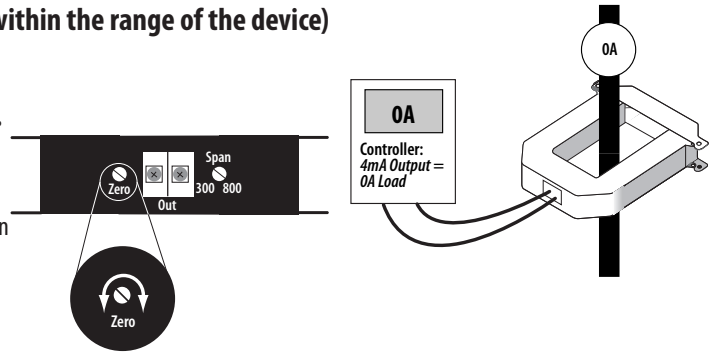
Calibration (H321 Only)

The following calculation is given as an example and uses sample current values. In an actual application, any values appropriate to the application (within the range of the device) can be substituted.

The H321SP is factory-calibrated.

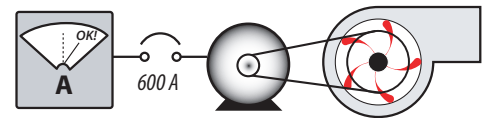
1. Set Zero.

Apply power to the sensor with no load in the monitored conductor. Turn the zero setpoint screw until the controller reads 4 mA output.

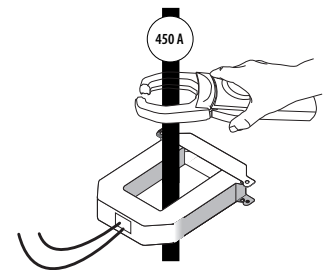


2. Calculate the maximum and target readings.

A. Determine the maximum current likely to occur in the application.



B. Establish normal load conditions on the conductor. Measure this current using an external measurement device, such as a portable amp clamp.



C. Calculate target output:

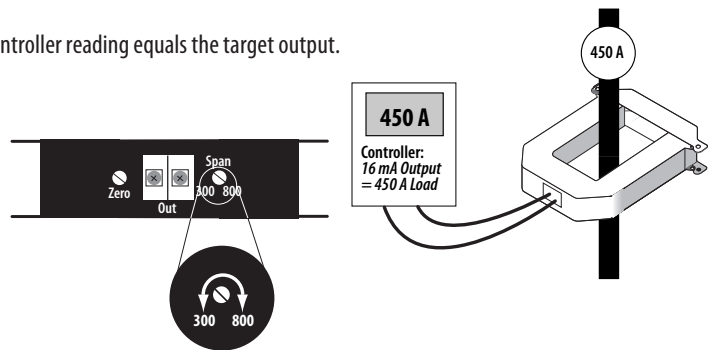
If A = the max. current, and B = the reading from the amp clamp, then:

$$\text{target output} = 16 \text{ mA} \times \frac{B}{A} + 4 \text{ mA}$$

$$\text{e.g. target output} = 16 \text{ mA} \times \frac{450}{600} + 4 \text{ mA} = 16 \text{ mA}$$

3. Set Span.

Turn the span setpoint screw until the controller reading equals the target output.



Troubleshooting

Problem	Solution
No Reading at Controller	<ul style="list-style-type: none"> Confirm that a 12-30 VDC power supply is in series with the sensor output terminals and the control panel analog input terminals. Assure that sensor core mating surfaces are clean and that the core clamp is completely closed.