

PolaNt* MC.v2

High-precision multi-frequency GNSS antenna



The PolaNt* MC.v2 is a lightweight, sturdy, high precision, multi-frequency, multi-constellation antenna. Built into a rugged and environmentally sealed housing with aluminium bottom plate, it is ideal for in physically demanding applications such as agriculture, construction and mining.

The PolaNt* MC.v2 allows for the reception of augmentation services distributed via L-band, making it particularly suited for use in machine control application in combination with Septentrio AsteRx products.

KEY FEATURES

- ▶ Multi-constellation, multi-frequency GPS, Galileo, GLONASS and BeiDou signals capable
- ▶ Reception of Inmarsat L-Band signals compatible with Fugro correction services
- ▶ Ruggedized design

PolaNt* MC.v2

FEATURES

Signals

L-Band (MSS)	
GPS	L1, L2, L5
GLONASS	L1, L2, L3
Beidou	B1, B2, B3
Galileo	E1, E5a, E5b, E6
SBAS	L1, L5
NavIC	L5
QZSS	L1, L2, L5, L6

Frequencies

1539- 1615 MHz
1164-1295 MHz

Polarisation

RHCP

Axial Ratio

3 dB Max

Radiation Coverage

Zenith	6.0 dBic
15° elevation	-2.0 dBic
10° elevation	-3.0 dBic
5° elevation	-4.0 dBic
Horizon	-5.0 dBic

Amplifier

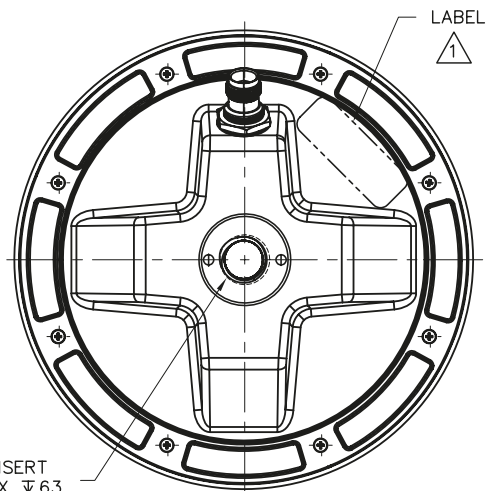
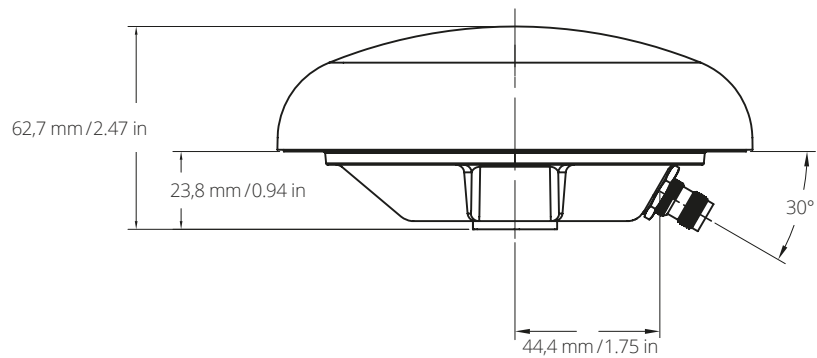
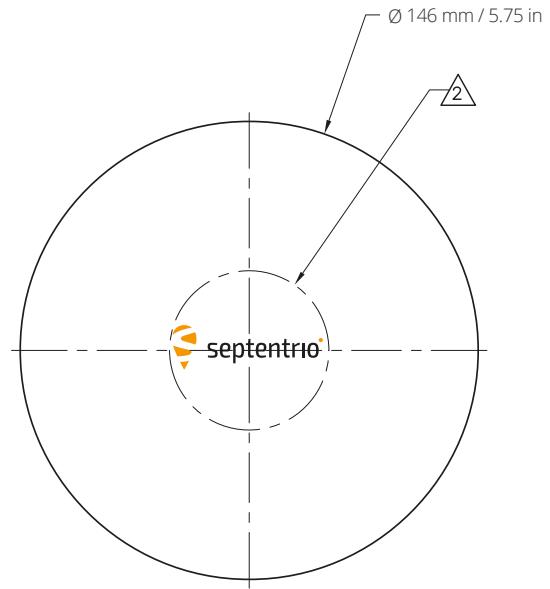
Gain	39 ± 2 dB
Noise Figure	2.6 dB max
Input Voltage	+3 to 15 VDC
Current	65 mA (typ)
Impedance	50 Ω
VSWR	≤ 2.0:1

Physical and Environmental

Finish	White radome with black aluminium base
Weight	≈ 500 g / 1.1 lb
Diameter	146 mm / 5.74 in
Connector	TNC Female
Temperature	-55° C to +85° C -58° F to 185° F
Designed to	D0160D
Certification	CE, RoHS and WEEE



THREADED INSERT
1-14UNS-2B X .63
ALUM. THREADS ADAPTER
5/8-11UNC-2B .63
OPTIONAL



EMEA

Greenhill Campus (HQ)
Interleuvenlaan 15i
3001 Leuven, **Belgium**

Espoo, **Finland**

Americas

Suite 200
23848 Hawthorne Blvd
Torrance, CA 90505, **USA**

septentrio.com/contact

Asia-Pacific

Shanghai, **China**
Yokohama, **Japan**
Seoul, **Korea**

septentrio.com

